

**PRODUCT TECHNICAL SHEET**

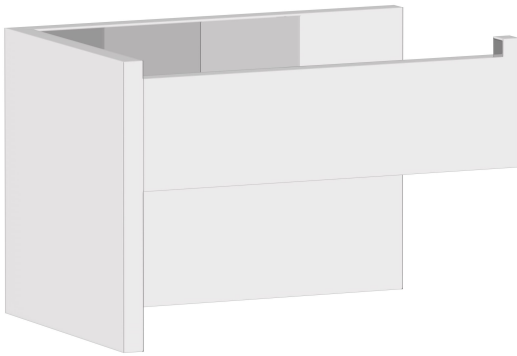
Collection : **ANDREW**

Ref. : **6285.--.55**

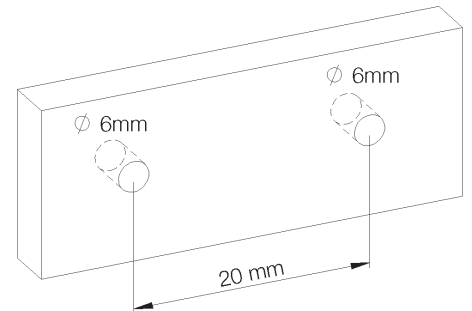
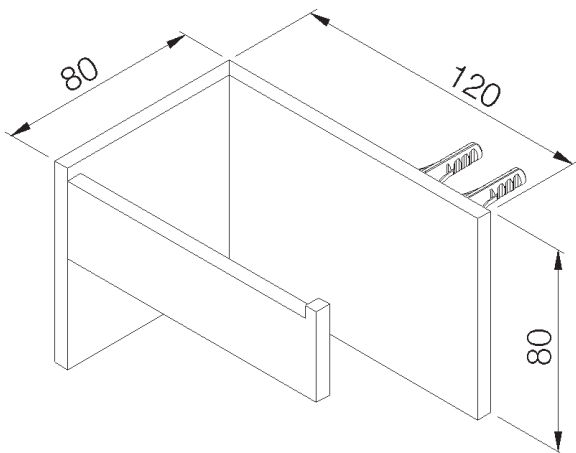
Porte-papier toilette  
Toiletpapier houder  
Toilet paper holder

**Picture**

**Product details**



**Technical drawing**



RA0.V01